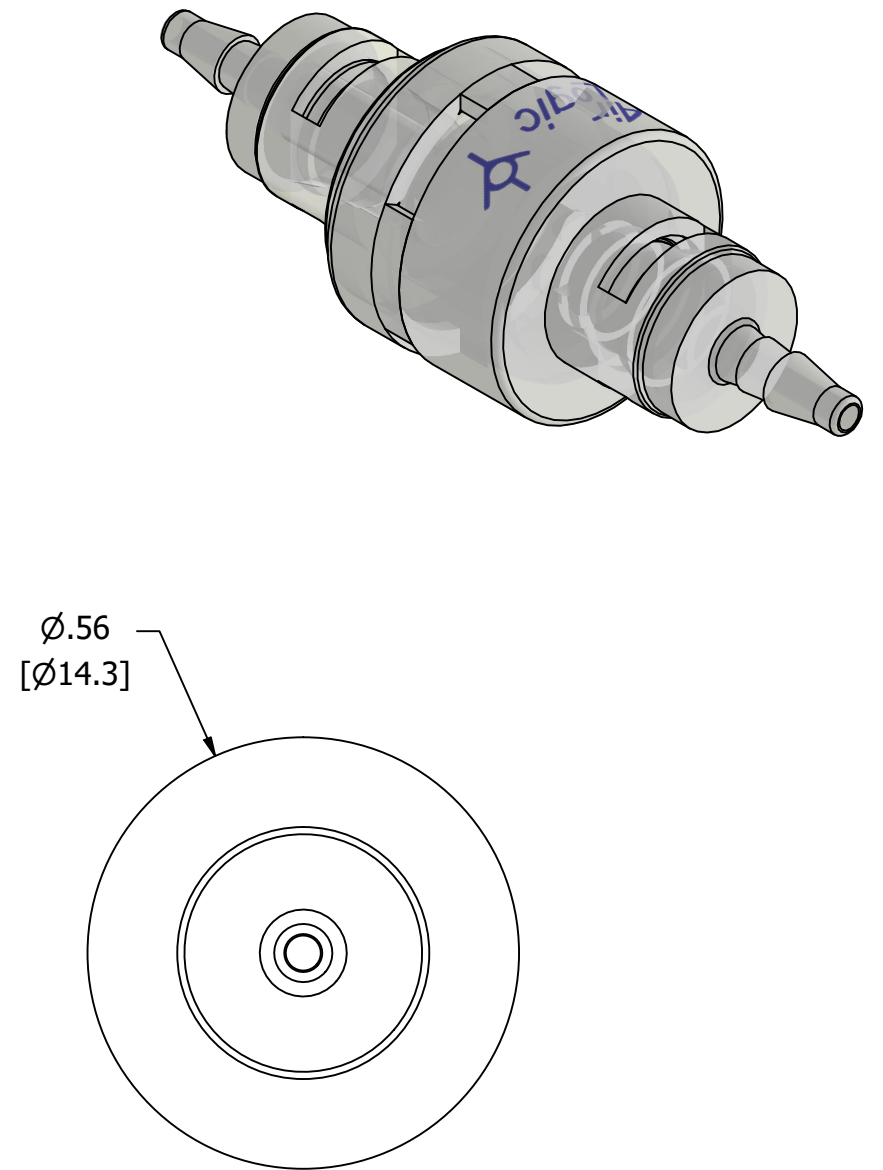
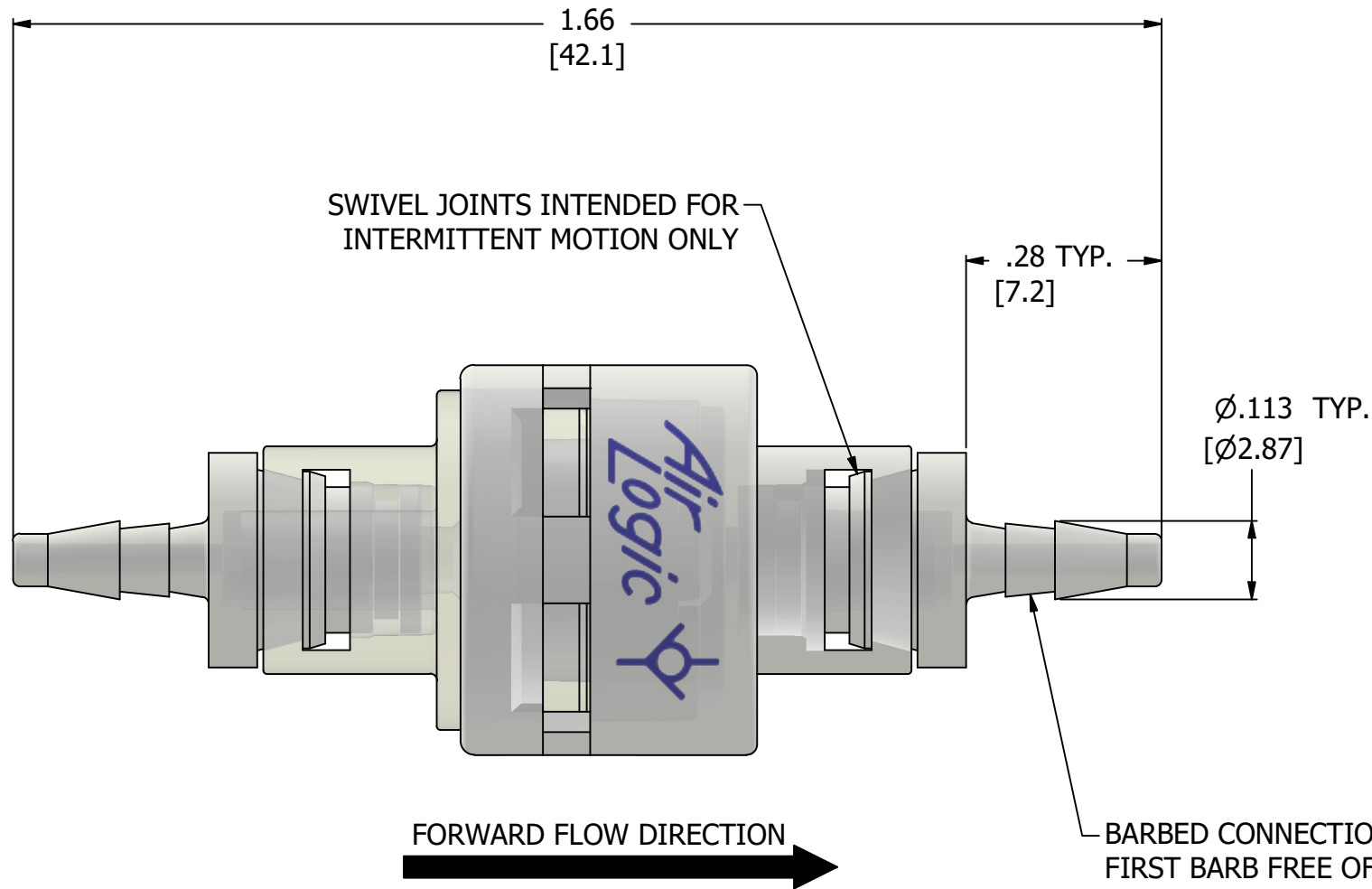


- NOTES:  
 1. ALL DIMENSIONS FOR REFERENCE ONLY  
 2. TUBE RETENTION PRESSURE SUBJECT TO TUBING DIMENSION AND STIFFNESS



PRODUCT SPECIFICATIONS

COLOR	NATURAL HOUSING, BLUE PRINT
CHECK VALVE TYPE	BALL & SPRING, NORMALLY CLOSED
CRACKING PRESSURE	1 PSI, [69 MILLIBARS]
MEDIA	GASES, LIQUIDS
MAX PRESSURE	100 PSI, [6.9 BAR]
TYPICAL TUBE RETENTION PRESSURE	125 PSI, [8.6 BAR], NOTE 2
MINIMUM INNER DIAMETER	Ø.047 [Ø1.19]
WETTED MATERIALS	POLYPROPYLENE, BUNA-N, STAINLESS STEEL
RECOMMENDED SYSTEM FILTRATION	5 MICRON



**AIR-LOGIC**

5102 DOUGLAS AVE RACINE, WI 53402  
 PHONE: (262) 639-9035 FAX: (262) 639-5996 WEB: AIR-LOGIC.COM

PART/DRAWING NO.:

**F28044051S0B**

DESCRIPTION:

1 PSI CHECK VALVE, STRAIGHT SWIVEL FITTINGS, 1/16" BARB

REVISION: A

SCALE: 4 : 1

DRAWN: 8/24/2023

SHEET SIZE: B

TERMS OF USE:

THIS DRAWING IS FOR INFORMATIONAL PURPOSES ONLY. AIR LOGIC MAKES NO REPRESENTATIONS OF WARRANTIES CONCERNING SUITABILITY FOR ANY PARTICULAR PURPOSE. ALL PRODUCTS SUPPLIED ARE SUBJECT TO TERMS AND CONDITIONS FOUND AT AIR-LOGIC.COM

DRAWING TAKES PRECEDENCE OVER 3D MODEL GEOMETRY

TOLERANCE: DECIMALS .00 ± .01, .000 ± .005, FRACTIONS ± 1/64  
 ANGLES 1/4° UNLESS OTHERWISE SPECIFIED  
 UNITS: INCHES [MILLIMETERS]